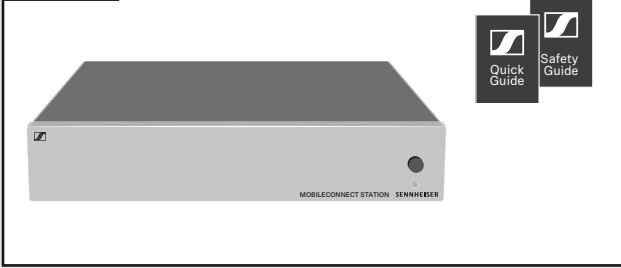




# MobileConnect Station

**Quick Guide** | Kurzanleitung | Guide de démarrage rapide | Guida rapida | Instrucciones resumidas | Instruções resumidas | Beknopte gebruiksaanwijzing | Krótka instrukcja obsługi | Snabbguide | Kort vejledning | Pikaohje | Γρήγορος οδηγός | Kısa Kılavuz | Краткая инструкция | 快速指南 | 快速使用指南 | クイックガイド | 요약 설명서

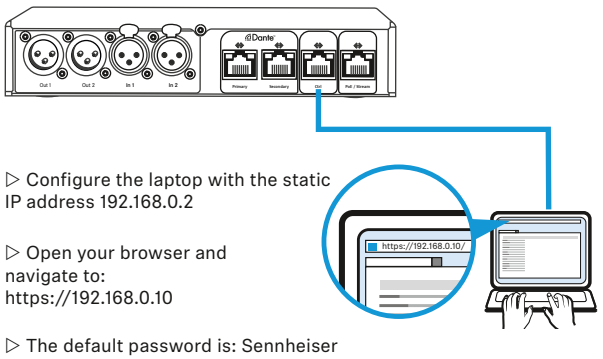
## In the box



## System Setup

For installation and setup of MobileConnect go to:  
<https://docs.sennheiser-connect.com>

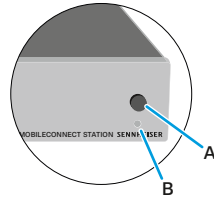
## Troubleshooting and Reset



- ▷ Configure the laptop with the static IP address 192.168.0.2
- ▷ Open your browser and navigate to:  
<https://192.168.0.10>
- ▷ The default password is: Sennheiser

## Operating elements

### Front

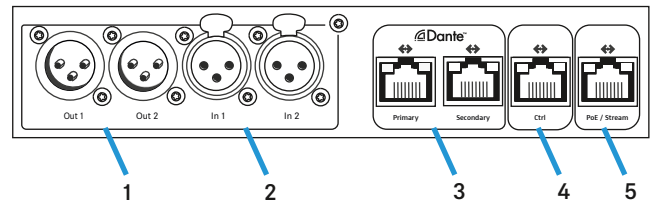


A reboot			
press the button	1.  < 1 sec	2.  ≥ 3 sec	reboot
B status LED			
lights up green			on
flashes green			error/warning

For further details see:

<https://docs.sennheiser-connect.com>

### Back



1	Analog audio output	2 XLR-3M sockets
2	Analog audio input	2 XLR-3F sockets
3	Digital audio input/output	Dante™-interface with two RJ-45 sockets, Primary und Secondary
4	Ctrl socket	RJ-45 socket For connection to separated control network
5	PoE/Stream socket	RJ-45 socket For connection to streaming network

## Contact and Support

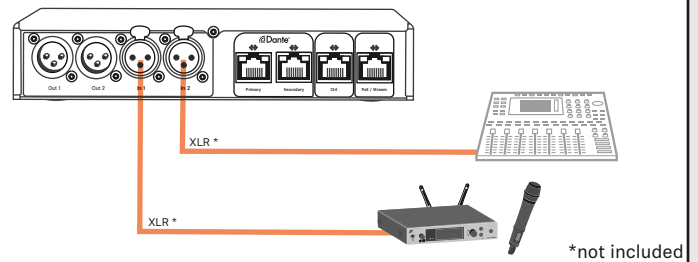
**i** Online:  
[www.sennheiser.com/mobileconnect](http://www.sennheiser.com/mobileconnect)  
<https://docs.sennheiser-connect.com>

**✉** Direct contact:  
[mc-support@sennheiser.com](mailto:mc-support@sennheiser.com)

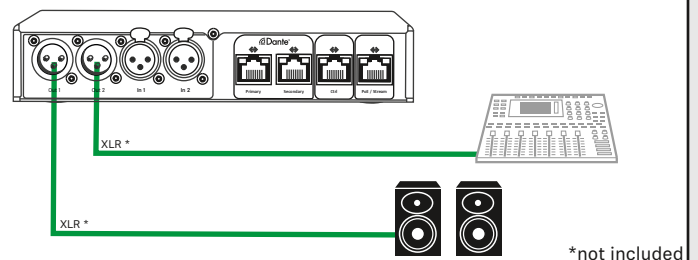
Software License:  
[www.sennheiser.com/mobileconnect](http://www.sennheiser.com/mobileconnect)



## Analog IN



## Analog OUT

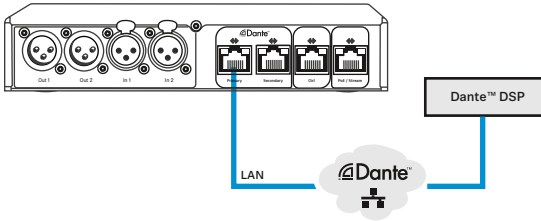


Sennheiser electronic GmbH & Co. KG

Am Labor 1, 30900 Wedemark, Germany, [www.sennheiser.com](http://www.sennheiser.com)  
Printed in Germany, Publ. 02/21, 583971/A02

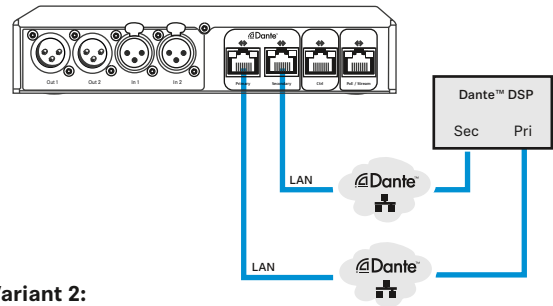
## Dante

Configuration via Audinate Dante Controller | [www.audinate.com](http://www.audinate.com)



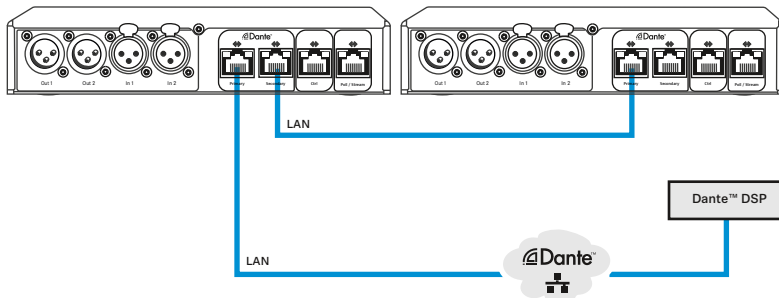
### Variant 1:

Digital audio connection through Dante™ network



### Variant 2:

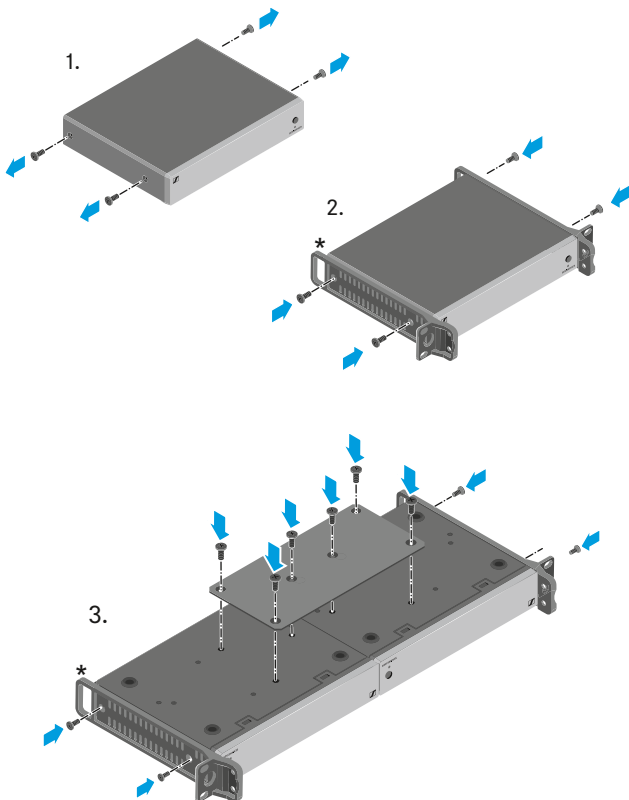
Digital audio connection through redundant Dante™ networks



### Variant 3:

Switched mode

## Rack mounting



\*GA 3 rack mount set not included

## Specification

### Product properties

Dimensions W x D x H	approx. 212 x 168 x 43 mm (8,4 x 6,6 x 1,7 ")
Weight	approx. 970 g
Audio inputs/outputs	2x XLR-3F (input) 2x XLR-3M (output) 2x RJ-45 Dante™ Digital Audio (input/output)
Network / Control	1x RJ-45 Control/PoE/Streaming 1x RJ-45 Control
Supply voltage	PoE IEEE 802.3af Class 3
Power consumption	Max. 10 W

### XLR connectors

Frequency response	40 Hz - 20 kHz
Signal to noise ratio S/N	101 dB (A)
Total harmonic distortion THD + N	- 82 dB (A)

### Audio inputs

Input impedance	10 kΩ
Max. input level	without gain: 18 dBu with gain: 3 dBu

### Audio outputs

Max. output level	4 dBu 600 Ω 8 dBu 200 kΩ
-------------------	-----------------------------

### Ambient conditions

Temperature range	Operation:	0 °C to +40 °C 32 °F to 104 °F
	Storage:	-10 °C to +60 °C 14 °F to 140 °F
Relative air humidity	20 - 90 %, non condensing	